

Stainless Steel-Assembly pins

SPECIFICATION

Types

- Type **B**: with plain washer
- Type **E**: with washer with eyelet, suitable for key rings
- Type **L**: with washer, with mounting shackle (only identification no.1)

Identification no.

- No. **1**: without cross hole
- No. **2**: with cross hole for spring cotter pin GN 1024 (see page 909)

Assembly pin
Stainless Steel AISI 304 **NI**

Washer
Stainless Steel

- Type B: turned AISI 304
- Type E: metal injection molded AISI 316 LHC
- Type L: sintered AISI 316 LHC

Countersunk screw DIN 7991
Stainless Steel AISI 304
not removable

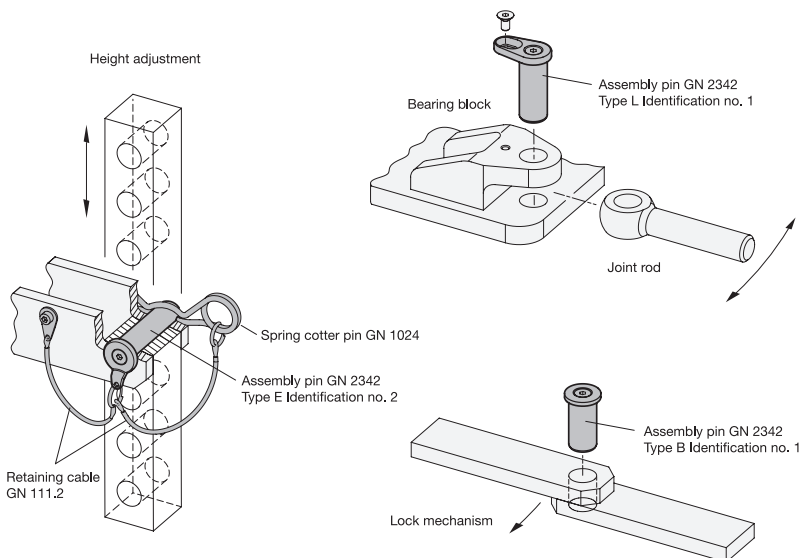


INFORMATION

GN 2342 Stainless Steel-Assembly pins are characterized by their use in diverse applications.

Depending on the requirement there are three washer types to choose from, which place the assembly pin in an axial position in its insertion direction. With the washer with eyelet (Type E) the assembly pin can be secured to prevent loss using a retaining cable or ball chain. The washer with mounting shackle (Type L) simultaneously acts as loss protection and anti-rotation protection. Assembly pins according to identification no. 2 are secured against falling out via a transverse drill hole which is aligned to the GN 1024 (see page 909).

APPLICATION EXAMPLE

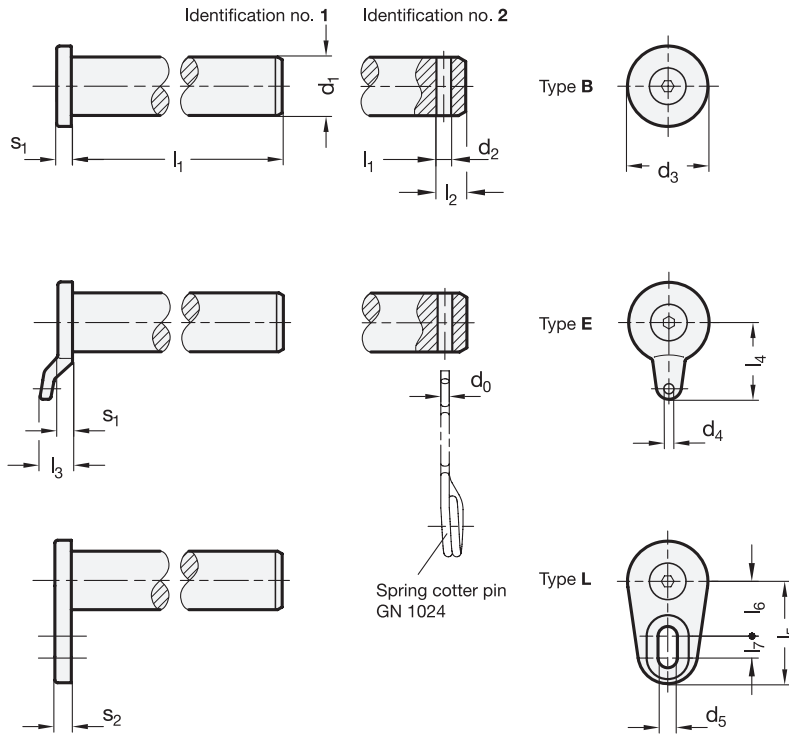


ACCESSORY

- Spring cotter pins GN 1024 (see page 909)
- Ball chains GN 111 (see page 904)
- Retaining cables GN 111.2 (see page 906)
- Key rings GN 111.3 (see page 903)

TECHNICAL INFORMATION

- Stainless Steel characteristics (see page A26)



* Complete with type index of the Stainless Steel-Assembly Pins (B, E or L)
B E L**

GN 2342

STAINLESS STEEL

Description	d1 h9	l1	d2	d3	d4	d5	l2	l3	l4	l5	l6	l7	s1	s2	Suitable spring cotter pins for Identification no. 2	⚖️
GN 2342-NI-8-16-*-1	8	16	-	12	2.5	4.3	5.5	7	13.5	18	10	2	3	4	-	10
GN 2342-NI-8-16-*-2	8**	16	2.5	12	2.5	-	5.5	7	13.5	-	-	-	3	4	GN 1024-NI-2-D	12
GN 2342-NI-8-20-*-1	8	20	-	12	2.5	4.3	5.5	7	13.5	18	10	2	3	4	-	11
GN 2342-NI-8-20-*-2	8**	20	2.5	12	2.5	-	5.5	7	13.5	-	-	-	3	4	GN 1024-NI-2-D	13
GN 2342-NI-8-24-*-1	8	24	-	12	2.5	4.3	5.5	7	13.5	18	10	2	3	4	-	13
GN 2342-NI-8-24-*-2	8**	24	2.5	12	2.5	-	5.5	7	13.5	-	-	-	3	4	GN 1024-NI-2-D	15
GN 2342-NI-8-28-*-1	8	28	-	12	2.5	4.3	5.5	7	13.5	18	10	2	3	4	-	14
GN 2342-NI-8-28-*-2	8**	28	2.5	12	2.5	-	5.5	7	13.5	-	-	-	3	4	GN 1024-NI-2-D	16
GN 2342-NI-8-30-*-1	8	30	-	12	2.5	4.3	5.5	7	13.5	18	10	2	3	4	-	15
GN 2342-NI-8-30-*-2	8**	30	2.5	12	2.5	-	5.5	7	13.5	-	-	-	3	4	GN 1024-NI-2-D	17
GN 2342-NI-8-32-*-1	8	32	-	12	2.5	4.3	5.5	7	13.5	18	10	2	3	4	-	16
GN 2342-NI-8-32-*-2	8**	32	2.5	12	2.5	-	5.5	7	13.5	-	-	-	3	4	GN 1024-NI-2-D	18
GN 2342-NI-8-35-*-1	8	35	-	12	2.5	4.3	5.5	7	13.5	18	10	2	3	4	-	17
GN 2342-NI-8-35-*-2	8**	35	2.5	12	2.5	-	5.5	7	13.5	-	-	-	3	4	GN 1024-NI-2-D	19
GN 2342-NI-8-40-*-1	8	40	-	12	2.5	4.3	5.5	7	13.5	18	10	2	3	4	-	19
GN 2342-NI-8-40-*-2	8**	40	2.5	12	2.5	-	5.5	7	13.5	-	-	-	3	4	GN 1024-NI-2-D	21
GN 2342-NI-8-45-*-1	8	45	-	12	2.5	4.3	5.5	7	13.5	18	10	2	3	4	-	21
GN 2342-NI-8-45-*-2	8**	45	2.5	12	2.5	-	5.5	7	13.5	-	-	-	3	4	GN 1024-NI-2-D	23
GN 2342-NI-8-50-*-1	8	50	-	12	2.5	4.3	5.5	7	13.5	18	10	2	3	4	-	23
GN 2342-NI-8-50-*-2	8**	50	2.5	12	2.5	-	5.5	7	13.5	-	-	-	3	4	GN 1024-NI-2-D	25
GN 2342-NI-8-55-*-1	8	55	-	12	2.5	4.3	5.5	7	13.5	18	10	2	3	4	-	25
GN 2342-NI-8-55-*-2	8**	55	2.5	12	2.5	-	5.5	7	13.5	-	-	-	3	4	GN 1024-NI-2-D	27
GN 2342-NI-8-60-*-1	8	60	-	12	2.5	4.3	5.5	7	13.5	18	10	2	3	4	-	27
GN 2342-NI-8-60-*-2	8**	60	2.5	12	2.5	-	5.5	7	13.5	-	-	-	3	4	GN 1024-NI-2-D	29

** This type (L) is only available in Identification no. 1



8

Indexing elements

*Complete with type index of the Stainless Steel-Assembly Pins (B, E or L)

B E L**

GN 2342

STAINLESS STEEL

Description	d1	h9	l1	d2	d3	d4	d5	l2	l3	l4	l5	l6	l7	s1	s2	Suitable spring cotter pins for Identification no. 2	⚖
GN 2342-NI-10-20-*1	10		20	-	15	2.5	4.3	6	7	15	21	11	4	3	4	-	17
GN 2342-NI-10-20-*2	10**		20	2.5	15	2.5	-	6	7	15	-	-	-	3	4	GN 1024-NI-2-E / ...-D	21
GN 2342-NI-10-24-*1	10		24	-	15	2.5	4.3	6	7	15	21	11	4	3	4	-	19
GN 2342-NI-10-24-*2	10**		24	2.5	15	2.5	-	6	7	15	-	-	-	3	4	GN 1024-NI-2-E / ...-D	23
GN 2342-NI-10-30-*1	10		30	-	15	2.5	4.3	6	7	15	21	11	4	3	4	-	23
GN 2342-NI-10-30-*2	10**		30	2.5	15	2.5	-	6	7	15	-	-	-	3	4	GN 1024-NI-2-E / ...-D	27
GN 2342-NI-10-35-*1	10		35	-	15	2.5	4.3	6	7	15	21	11	4	3	4	-	26
GN 2342-NI-10-35-*2	10**		35	2.5	15	2.5	-	6	7	15	-	-	-	3	4	GN 1024-NI-2-E / ...-D	30
GN 2342-NI-10-40-*1	10		40	-	15	2.5	4.3	6	7	15	21	11	4	3	4	-	29
GN 2342-NI-10-40-*2	10**		40	2.5	15	2.5	-	6	7	15	-	-	-	3	4	GN 1024-NI-2-E / ...-D	33
GN 2342-NI-10-45-*1	10		45	-	15	2.5	4.3	6	7	15	21	11	4	3	4	-	32
GN 2342-NI-10-45-*2	10**		45	2.5	15	2.5	-	6	7	15	-	-	-	3	4	GN 1024-NI-2-E / ...-D	36
GN 2342-NI-10-50-*1	10		50	-	15	2.5	4.3	6	7	15	21	11	4	3	4	-	36
GN 2342-NI-10-50-*2	10**		50	2.5	15	2.5	-	6	7	15	-	-	-	3	4	GN 1024-NI-2-E / ...-D	39
GN 2342-NI-10-55-*1	10		55	-	15	2.5	4.3	6	7	15	21	11	4	3	4	-	39
GN 2342-NI-10-55-*2	10**		55	2.5	15	2.5	-	6	7	15	-	-	-	3	4	GN 1024-NI-2-E / ...-D	42
GN 2342-NI-10-60-*1	10		60	-	15	2.5	4.3	6	7	15	21	11	4	3	4	-	42
GN 2342-NI-10-60-*2	10**		60	2.5	15	2.5	-	6	7	15	-	-	-	3	4	GN 1024-NI-2-E / ...-D	44
GN 2342-NI-10-65-*1	10		65	-	15	2.5	4.3	6	7	15	21	11	4	3	4	-	45
GN 2342-NI-10-65-*2	10**		65	2.5	15	2.5	-	6	7	15	-	-	-	3	4	GN 1024-NI-2-E / ...-D	48
GN 2342-NI-10-70-*1	10		70	-	15	2.5	4.3	6	7	15	21	11	4	3	4	-	48
GN 2342-NI-10-70-*2	10**		70	2.5	15	2.5	-	6	7	15	-	-	-	3	4	GN 1024-NI-2-E / ...-D	51
GN 2342-NI-10-80-*1	10		80	-	15	2.5	4.3	6	7	15	21	11	4	3	4	-	54
GN 2342-NI-10-80-*2	10**		80	2.5	15	2.5	-	6	7	15	-	-	-	3	4	GN 1024-NI-2-E / ...-D	58
GN 2342-NI-12-20-*1	12		20	-	17	3	5.3	7	9	18.5	23	12	4	4	4.5	-	25
GN 2342-NI-12-20-*2	12**		20	2.5	17	3	-	7	9	18.5	-	-	-	4	4.5	GN 1024-NI-2-E / ...-D	30
GN 2342-NI-12-24-*1	12		24	-	17	3	5.3	7	9	18.5	23	12	4	4	4.5	-	29
GN 2342-NI-12-24-*2	12**		24	2.5	17	3	-	7	9	18.5	-	-	-	4	4.5	GN 1024-NI-2-E / ...-D	34
GN 2342-NI-12-30-*1	12		30	-	17	3	5.3	7	9	18.5	23	12	4	4	4.5	-	34
GN 2342-NI-12-30-*2	12**		30	2.5	17	3	-	7	9	18.5	-	-	-	4	4.5	GN 1024-NI-2-E / ...-D	39
GN 2342-NI-12-35-*1	12		35	-	17	3	5.3	7	9	18.5	23	12	4	4	4.5	-	45
GN 2342-NI-12-35-*2	12**		35	2.5	17	3	-	7	9	18.5	-	-	-	4	4.5	GN 1024-NI-2-E / ...-D	46
GN 2342-NI-12-40-*1	12		40	-	17	3	5.3	7	9	18.5	23	12	4	4	4.5	-	42
GN 2342-NI-12-40-*2	12**		40	2.5	17	3	-	7	9	18.5	-	-	-	4	4.5	GN 1024-NI-2-E / ...-D	48
GN 2342-NI-12-45-*1	12		45	-	17	3	5.3	7	9	18.5	23	12	4	4	4.5	-	47
GN 2342-NI-12-45-*2	12**		45	2.5	17	3	-	7	9	18.5	-	-	-	4	4.5	GN 1024-NI-2-E / ...-D	53
GN 2342-NI-12-50-*1	12		50	-	17	3	5.3	7	9	18.5	23	12	4	4	4.5	-	51
GN 2342-NI-12-50-*2	12**		50	2.5	17	3	-	7	9	18.5	-	-	-	4	4.5	GN 1024-NI-2-E / ...-D	57
GN 2342-NI-12-55-*1	12		55	-	17	3	5.3	7	9	18.5	23	12	4	4	4.5	-	56
GN 2342-NI-12-55-*2	12**		55	2.5	17	3	-	7	9	18.5	-	-	-	4	4.5	GN 1024-NI-2-E / ...-D	61
GN 2342-NI-12-60-*1	12		60	-	17	3	5.3	7	9	18.5	23	12	4	4	4.5	-	61
GN 2342-NI-12-60-*2	12**		60	2.5	17	3	-	7	9	18.5	-	-	-	4	4.5	GN 1024-NI-2-E / ...-D	66
GN 2342-NI-12-65-*1	12		65	-	17	3	5.3	7	9	18.5	23	12	4	4	4.5	-	65
GN 2342-NI-12-65-*2	12**		65	2.5	17	3	-	7	9	18.5	-	-	-	4	4.5	GN 1024-NI-2-E / ...-D	70
GN 2342-NI-12-70-*1	12		70	-	17	3	5.3	7	9	18.5	23	12	4	4	4.5	-	70
GN 2342-NI-12-70-*2	12**		70	2.5	17	3	-	7	9	18.5	-	-	-	4	4.5	GN 1024-NI-2-E / ...-D	75

** This type (L) is only available in Identification no. 1



Indexing elements 8

* Complete with type index of the Stainless Steel-Assembly Pins (B, E or L)

B E L**

GN 2342

STAINLESS STEEL

Description	d1	h9	l1	d2	d3	d4	d5	l2	l3	l4	l5	l6	l7	s1	s2	Suitable spring cotter pins for Identification no. 2	
GN 2342-NI-12-80-*1	12	80	-	17	3	5.3	7	9	18.5	23	12	4	4	4	4.5	-	78
GN 2342-NI-12-80-*2	12**	80	2.5	17	3	-	7	9	18.5	-	-	-	4	4	4.5	GN 1024-NI-2-E / ...-D	84
GN 2342-NI-16-32-*1	16	32	-	22	3	5.3	8	9	21	28	15	6	4	4	4.5	-	62
GN 2342-NI-16-32-*2	16**	32	3.5	22	3	-	8	9	21	-	-	-	4	4	4.5	GN 1024-NI-3-E / ...-D	73
GN 2342-NI-16-35-*1	16	35	-	22	3	5.3	8	9	21	28	15	6	4	4	4.5	-	67
GN 2342-NI-16-35-*2	16**	35	3.5	22	3	-	8	9	21	-	-	-	4	4	4.5	GN 1024-NI-3-E / ...-D	77
GN 2342-NI-16-40-*1	16	40	-	22	3	5.3	8	9	21	28	15	6	4	4	4.5	-	74
GN 2342-NI-16-40-*2	16**	40	3.5	22	3	-	8	9	21	-	-	-	4	4	4.5	GN 1024-NI-3-E / ...-D	85
GN 2342-NI-16-45-*1	16	45	-	22	3	5.3	8	9	21	28	15	6	4	4	4.5	-	82
GN 2342-NI-16-45-*2	16**	45	3.5	22	3	-	8	9	21	-	-	-	4	4	4.5	GN 1024-NI-3-E / ...-D	93
GN 2342-NI-16-50-*1	16	50	-	22	3	5.3	8	9	21	28	15	6	4	4	4.5	-	90
GN 2342-NI-16-50-*2	16**	50	3.5	22	3	-	8	9	21	-	-	-	4	4	4.5	GN 1024-NI-3-E / ...-D	101
GN 2342-NI-16-55-*1	16	55	-	22	3	5.3	8	9	21	28	15	6	4	4	4.5	-	98
GN 2342-NI-16-55-*2	16**	55	3.5	22	3	-	8	9	21	-	-	-	4	4	4.5	GN 1024-NI-3-E / ...-D	109
GN 2342-NI-16-60-*1	16	60	-	22	3	5.3	8	9	21	28	15	6	4	4	4.5	-	106
GN 2342-NI-16-60-*2	16**	60	3.5	22	3	-	8	9	21	-	-	-	4	4	4.5	GN 1024-NI-3-E / ...-D	117
GN 2342-NI-16-65-*1	16	65	-	22	3	5.3	8	9	21	28	15	6	4	4	4.5	-	114
GN 2342-NI-16-65-*2	16**	65	3.5	22	3	-	8	9	21	-	-	-	4	4	4.5	GN 1024-NI-3-E / ...-D	125
GN 2342-NI-16-70-*1	16	70	-	22	3	5.3	8	9	21	28	15	6	4	4	4.5	-	122
GN 2342-NI-16-70-*2	16**	70	3.5	22	3	-	8	9	21	-	-	-	4	4	4.5	GN 1024-NI-3-E / ...-D	133
GN 2342-NI-16-80-*1	16	80	-	22	3	5.3	8	9	21	28	15	6	4	4	4.5	-	138
GN 2342-NI-16-80-*2	16**	80	3.5	22	3	-	8	9	21	-	-	-	4	4	4.5	GN 1024-NI-3-E / ...-D	149
GN 2342-NI-16-90-*1	16	90	-	22	3	5.3	8	9	21	28	15	6	4	4	4.5	-	154
GN 2342-NI-16-90-*2	16**	90	3.5	22	3	-	8	9	21	-	-	-	4	4	4.5	GN 1024-NI-3-E / ...-D	164
GN 2342-NI-16-100-*1	16	100	-	22	3	5.3	8	9	21	28	15	6	4	4	4.5	-	170
GN 2342-NI-16-100-*2	16**	100	3.5	22	3	-	8	9	21	-	-	-	4	4	4.5	GN 1024-NI-3-E / ...-D	180
GN 2342-NI-20-40-*1	20	40	-	26	3.5	6.4	10.5	9	24	31	17	6	4	5	-	-	115
GN 2342-NI-20-40-*2	20**	40	4.5	26	3.5	-	10.5	9	24	-	-	-	4	5	GN 1024-NI-4-E / ...-D	136	
GN 2342-NI-20-45-*1	20	45	-	26	3.5	6.4	10.5	9	24	31	17	6	4	5	-	-	126
GN 2342-NI-20-45-*2	20**	45	4.5	26	3.5	-	10.5	9	24	-	-	-	4	5	GN 1024-NI-4-E / ...-D	158	
GN 2342-NI-20-50-*1	20	50	-	26	3.5	6.4	10.5	9	24	31	17	6	4	5	-	-	138
GN 2342-NI-20-50-*2	20**	50	4.5	26	3.5	-	10.5	9	24	-	-	-	4	5	GN 1024-NI-4-E / ...-D	161	
GN 2342-NI-20-55-*1	20	55	-	26	3.5	6.4	10.5	9	24	31	17	6	4	5	-	-	150
GN 2342-NI-20-55-*2	20**	55	4.5	26	3.5	-	10.5	9	24	-	-	-	4	5	GN 1024-NI-4-E / ...-D	173	
GN 2342-NI-20-60-*1	20	60	-	26	3.5	6.4	10.5	9	24	31	17	6	4	5	-	-	163
GN 2342-NI-20-60-*2	20**	60	4.5	26	3.5	-	10.5	9	24	-	-	-	4	5	GN 1024-NI-4-E / ...-D	186	
GN 2342-NI-20-65-*1	20	65	-	26	3.5	6.4	10.5	9	24	31	17	6	4	5	-	-	175
GN 2342-NI-20-65-*2	20**	65	4.5	26	3.5	-	10.5	9	24	-	-	-	4	5	GN 1024-NI-4-E / ...-D	198	
GN 2342-NI-20-70-*1	20	70	-	26	3.5	6.4	10.5	9	24	31	17	6	4	5	-	-	188
GN 2342-NI-20-70-*2	20**	70	4.5	26	3.5	-	10.5	9	24	-	-	-	4	5	GN 1024-NI-4-E / ...-D	211	
GN 2342-NI-20-80-*1	20	80	-	26	3.5	6.4	10.5	9	24	31	17	6	4	5	-	-	212
GN 2342-NI-20-80-*2	20**	80	4.5	26	3.5	-	10.5	9	24	-	-	-	4	5	GN 1024-NI-4-E / ...-D	235	
GN 2342-NI-20-90-*1	20	90	-	26	3.5	6.4	10.5	9	24	31	17	6	4	5	-	-	237
GN 2342-NI-20-90-*2	20**	90	4.5	26	3.5	-	10.5	9	24	-	-	-	4	5	GN 1024-NI-4-E / ...-D	260	
GN 2342-NI-20-100-*1	20	100	-	26	3.5	6.4	10.5	9	24	31	17	6	4	5	-	-	262
GN 2342-NI-20-100-*2	20**	100	4.5	26	3.5	-	10.5	9	24	-	-	-	4	5	GN 1024-NI-4-E / ...-D	287	

** This type (L) is only available in Identification no. 1



Indexing elements